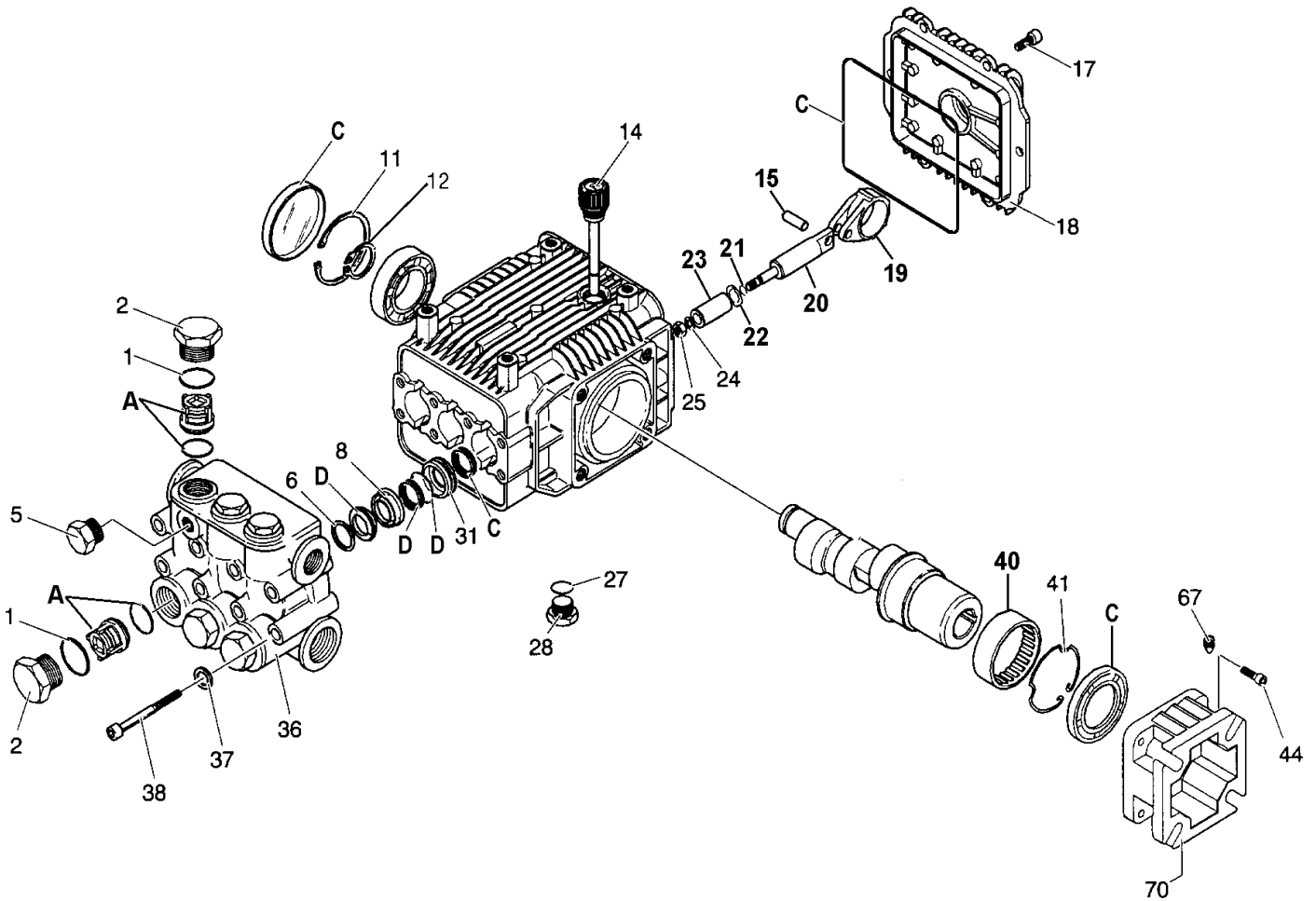


D22291-XMV3G27 - AR PUMP



D22291-XMV3G27 - AR PUMP PARTS LIST

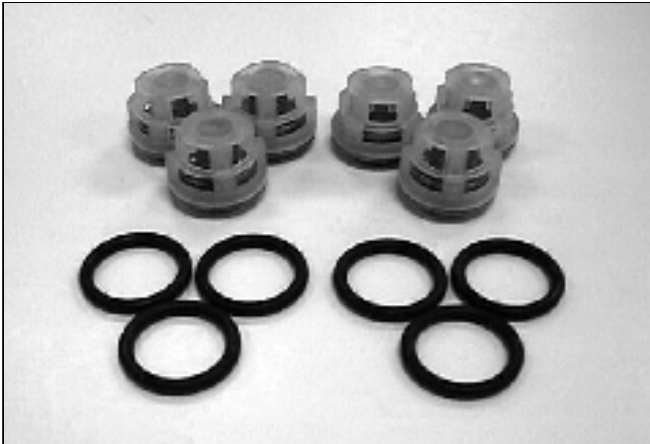
| <u>Key#</u> | <u>Part #</u> | <u>Description</u> |
|-------------|---------------|----------------------|
| 1 | AR-960160 | O-ring |
| 2 | AR-1260162 | Plug |
| 5 | AR-620301 | Plug |
| 6 | AR-1780130 | O-ring |
| 8 | AR-1780090 | Piston Guide |
| 11 | AR-1260790 | Circlip |
| 12 | AR-1780550 | Shaft Retainer |
| 14 | AR-880130 | Oil Cap |
| 15 | AR-1780050 | Piston Pin |
| 17 | AR-1200430 | Screw |
| 18 | AR-1789010 | Complete Cover |
| 19 | AR-1780040 | Connecting Rod Kit |
| 20 | AR-1780060 | Piston Guide |
| 21 | AR-480480 | O-Ring |
| 22 | AR-1260091 | Spacer Disc |
| 23 | AR-1780070 | Piston |
| 24 | AR-1260100 | Piston Washer |
| 25 | AR-1260110 | Nut |
| 27 | AR-740290 | O-ring |
| 28 | AR-880530 | Plug |
| 31 | AR-1780100 | Rear Piston Guide |
| 32 | AR-770260 | O-ring |
| 33 | AR-1260440 | Gasket |
| 37 | AR-1381550 | Washer |
| 38 | AR-1322730 | Screw |
| 40 | AR-1321190 | Bearing |
| 41 | AR-1321080 | Snap Ring |
| 44 | AR-180030 | Screw |
| 62 | AR-1780430 | Bushing |
| 67 | AR-820440 | Grub Screw |
| 70 | AR-1780580 | Engine Flange |
| A | AR-1864 | Valve Kit |
| B | AR-2739 | Plunger Kit |
| C | AR-2787 | Gasket Kit |
| D | AR-2741 | Water Seal Kit |
| | AR-21158 | Unloader (not shown) |

General Information:

- 30W non-detergent oil, 13.5 oz.
- Fill to the middle of sight glass
- Kit contains: 17657 thermal relief valve, P448 key, H140 chemical hose, F078 lockwasher (qty 4 pump to engine), 15167 screw 5/16-24 (qty 4 pump to engine), 16829 adapter 1/2 FPT x Garden Hose w/screen, F035 quick-connect, F050 3/8" plug, V124 chemical injector

D22291-XMV3G27 - AR REPAIR KITS

AR-1864 Valve Kit



AR-2739 Piston Kit



AR-2741 Water/Packing Kit



AR-2787 Gasket Kit

